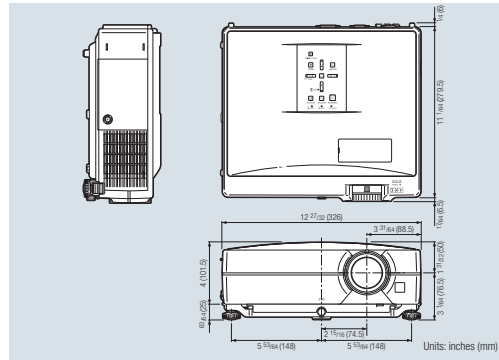




Dimensions (XG-C455W / PG-C355W)



SHARP

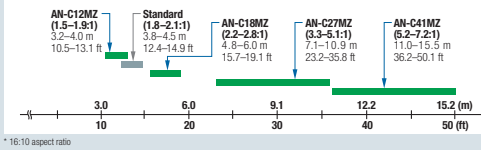
XG-C455W/PG-C355W True WXGA Portable LCD Projectors

Optional Accessories

Lenses



Projection Distances for a Wide (16:10) 100" Screen (throw ratio)*



Lamp



USB Remote Receiver



Cable



Ceiling Mounts



Specifications

Models	XG-C455W	PG-C355W
Display device	0.74" LCD panel x 3	0.74" LCD panel x 3
Resolution	WXGA (1,280 x 800)	WXGA (1,280 x 800)
Brightness	4,000 ANSI lumens	3,300 ANSI lumens
Contrast ratio	450:1	550:1
Lens	F number	F1.7-1.9
	Zoom	Manual, x1.2 (=28.0 - 33.6 mm)
Picture size	Focus	Manual
	Projection distance	40" (102 cm) to 500" (1,270 cm)
Input signals	Computer RGB	UXGA+*1; SXGA+*1; SXGA+*1; WXGA, XGA, SVGA, VGA
	DTV	1080P, 1080i, 720P, 576P, 576i, 480P, 480i, NTSC, PAL, SECAM
Input terminals	DVI-D (Compatible with HDCP)	x1
	Computer / Component (mini D-sub 15 pin)	x2
	S-Video (mini DIN 4 pin)	x1
	Video (RCA)	x1
Output terminals	Audio (RCA)	x2
	Computer / Component (mini D-sub 15 pin)	x1
Control and communication terminals	LAN (RJ-45)	x1
	USB (Type B)	x1
Horizontal frequency	RS-232C (mini DIN 9 pin)	x1
	Weight (approx.)	10.8 lbs. (4.9 kg)

* Supplied accessories: Remote control, two R-6 batteries, power cord (6' (1.8 m)), RGB cable (10' (3.0 m)), DVI-D-sub RS-232C adaptor (5.5"/6.4" (15 cm)), lens cap (attached), storage case, operation manual, CD-ROM
 Design and specifications are current as of June 2008, but are subject to change without notice.
 *1 Compatible intelligent compression *2 Analogue RGB signal only * HQV is a registered trademark of Silicon Optix.
 • Temporary noise may be visible with vertical frequencies above 100 Hz if OSD functions are activated.
 • The lamp life may vary depending on the usage condition.



High-Brightness 4,000 ANSI Lumen (XG-C455W) and 3,300 ANSI Lumen (PG-C355W) WXGA Wide-Screen-Compatible Projectors with Compact Body



SHARP

SHARP CORPORATION OSAKA, JAPAN
 URL <http://www.sharp-world.com/>

WXGA Compatible, High-Quality LCD Projectors Provide User-Oriented Performance for Mobile Applications Plus Easy Installation and Maintenance for Mid-Size and Large Conference Rooms

High-Brightness Performance in Such a Compact Body

High Brightness of 4,000 ANSI Lumens (XG-C455W) and 3,300 ANSI Lumens (PG-C355W)

Sharp's optoelectronics technology in a three-LCD projection system maximizes light output. This technology provides efficient brightness of 4,000 ANSI lumens (XG-C455W) and 3,300 ANSI lumens (PG-C355W), compatible with wide screen sizes, delivering a bright, easy-to-see image even in large, brightly lit rooms.

Compact and Lightweight Body

Sharp's optical mechanism achieves a body that is compact and lightweight in the class of projectors with this luminance. Together with the recessed lens, which provides extensive protection against accidental damage, the XG-C455W and PG-C355W projectors expand possibilities for portable use.

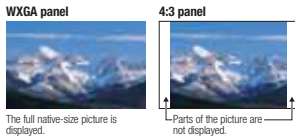
Compact and Lightweight



High-Quality Projection

WXGA Compatibility

The 16:9 wide-screen aspect ratio is becoming increasingly common for TV broadcasts and computers, and the XG-C455W and PG-C355W use wide-screen-compatible WXGA (1,280 x 800). WXGA (wide XGA) provides a viewing area 1.3 times wider than standard XGA (1,024 x 768). Cable and satellite broadcasts as well as DVD videos can be viewed in their full native size.



High-Quality Picture Reproduction

Using a Reon-VX video processor with Hollywood Quality Video (HQV) technology, the XG-C455W and PG-C355W smoothly reproduce vivid colour pictures without flicker or blur.



* The Reon VX video processor, with award-winning HQV technology, employs true four-field, motion-adaptive 1080i de-interlacing to provide the highest quality 1080p image. In addition, the advanced HQV scaling, noise reduction and detail enhancement engines ensure that SD images are converted and delivered at a quality approaching HD.

Easy Operation and Installation

Four Optional Lenses and Easy Replacement System

The projector can be used with four optional interchangeable lenses to meet a wide variety of applications and projection situations. The lenses cover projection distances from 10.5 ft (3.2 m) to 50.1 ft (15.5 m) for a 100" wide screen*. And, it is amazingly easy to change lenses. Just detach the cover and turn the lever. Anytime you enter a new presentation venue, you can simply relax and quickly change to the lens which best suits your projection conditions such as the room size, projection distance and projected picture size.



* 16:10 aspect ratio

Side Access Lamp and Filter

The lamp and filter in the XG-C455W and PG-C355W can be easily replaced while the projectors on a tabletop or when even ceiling mounted. This is convenient for fixed mounting in mid-size and large conference rooms.



Manual Horizontal/Vertical Keystone Correction

The system compensates both horizontally and vertically for picture distortion caused when an image is projected on an angle. The screen can be positioned directly in front of the projector for optimal viewing, and large-screen projection can be easily enjoyed in locations with installation restrictions.

New Tilt Leveler

Easily levels tilted images.



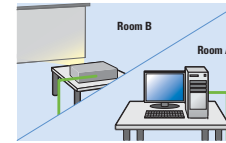
SHARP Unique Network System

Web Browser Control

Web browser control enables remote access and management of the projector by utilizing built-in firmware without the need for additional special software.

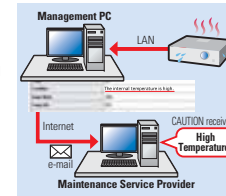
Remote Access for Control and Adjustment

Projector control functions, including power on, input select, volume, and AV mute, can be controlled and adjusted by a computer even in another room.



Diagnosis and Auto Email Alert

Email is automatically sent to appointed addresses when detecting an error message, such as the lamp going out, unusual heating or cooling fan breakdown.



Link to a Specific Website for Service and Support

The projector can be registered to a specific website for maintenance service and support. For example, the projector can send an error message, such as to notify that the lamp is burnt out, to a web address automatically selected. The address accessed for maintenance is also shown on the display.



A Wide Variety of Interfaces

Variety of Interfaces

With a DVI digital terminal compatible with conventional players and computers, the XG-C455W and PG-C355W are equipped with various video inputs, including composite inputs and four discrete stereo audio inputs.



Control with Downloadable Display Manager

A greater variety of network projector control options can be used when the Sharp Display Manager* is installed on the main computer.

* Sharp Display Manager can be downloaded from the Sharp Global Home Page for free. Sharp Global Homepage URL: <http://sharp-world.com/projector>

Remote Access for Multiple and Group Projector Control

A management computer can control multiple projectors simultaneously.



Periodic/Error Diagnosis and Auto Email Alert

The Display Manager sends periodic reports and an error message as well as directly adjusts the projector gamma values and other projector conditions.



Theft Detection and Message (Network Surveillance System)

A warning message will appear on the screen of a computer when projector cables are disconnected.



PJLink™ Capability

The XG-C455W and PG-C355W are compatible with devices that support PJLink™, enabling systems to be easily built for centralized management and operation using a controller. For additional information about the PJLink™, visit <http://pjlink.jp/mia.or.jp/english/>



Control System Compatibility

The XG-C455W and PG-C355W provide superior compatibility with various control systems such as Crestron, AMX and Extron.

Useful Features

Direct Power Off Function

The Direct Power Off function lets users immediately unplug the projector and take it from the location because there is no need to wait for the projector to cool down. Along with Direct Power Off, the Auto Restart function also helps control the power simultaneously for multiple projectors by using the room's primary power switch.

Eco+Quiet Mode Direct Button

Eco+Quiet Mode extends the LCD and lamp life and reduces fan noise. With the Direct Buttons built into both the projector and the remote control, this mode can be conveniently turned on or off at any time.

32dB Low Fan Noise (Eco+Quiet Mode On)

Use of separate cooling systems for each RGB LCD panel achieves low fan noise.

Mouse Control

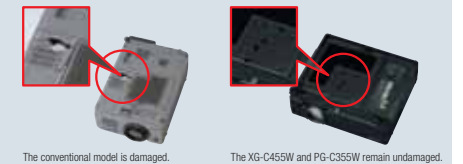
The computer mouse function enables a projector to be controlled remotely using a built-in USB terminal. In addition, by using an optional AN-MR2 remote IR receiver, a projector can be controlled even when mounted on a desktop or ceiling and regardless of USB cable length.

Security and Safety (Notevision Security Pack)

Notevision Lockdown Function

The optical unit provides a solid mounting point for ceiling mount hardware, and the joint area is reinforced by a metal plate. A strong mount deters theft.

When a projector is subjected to a force of 7,000 N (714 kgf)



- System Lock Function with Key Code Startup
- Network Surveillance System
- Kensington Lock